



深圳市艾贝特电子科技有限公司

ShenZhen ANEWBEST Electronic Technology CO.,LTD

TEL: 0755-36887336 FAX: 0755-36887404

ECON-SD700 全自动经济型锡渣分离机简介

ECON-SD700 Automatic Economical Solder Dross Separation Machine



功能描述:

本产品专利设计,近十年市场使用经验,集人性化需求、环保、安全、全球最先进技术为一体。主要针对波峰焊锡炉工作过程中产生的焊锡氧化物——锡渣,进行二次回收利用。此款设备适合离线独立操作使用,可直接将收集好的锡渣投入,无需添加任何化学非化学物质,在直接通电情况下,机器预加热到**280**度,就能彻底、有效的将锡渣中有用的焊锡回收回来,二次利用,达到节约焊锡使用量,节省成本的目的。

Our company has accumulate nearly ten years marketing experience. The engineers could deeply know the demand of clients ,enviroment and the safety, So the most advanced technology could be integarated into the product. Tin residue is the main thing that our device facing .After the equipment proces sing, the dross will be refined ,and the recycled tin could be reused. This Intelligent and efficient model could be used under off-line situation ,and no worker is needed. During the working, the only thing you need to do is putting dross into the machine without any chemical .When the temperature reach 280 degree, the tin qualified for using would be puri



fed. By using our machine, a large amount of tin could be saved and the amount of the cost will reduce.

一. 产品特点 **Characteristic:**

一、电控系统 **Electric control system:**

1、采用 TECHWAYSON 进口 PLC 微电脑+温度扩展模块控制;

Use import PLC microcomputer+temperature expansion module control

2、人机界面:WEINTEK TAI WAN 触摸屏 4.3" ;

Human-computer interface:WEINTEK TAI WAN Touch screen

3、内置时间控制系统: 可提前预制时间设置, 自动开关机;

The built-in time control system :time setting in advanced ,
automatic switch on and off

4、加热方式, 模拟量 PID 功能, 无触点可控硅控制;

Heating mode, analog PID function, contactless controlled Si control

二、锡渣输入系统 **Solder dross input system:**

采用螺旋自动将碎锡渣输入进搅拌区焊锡内部;

Use screw to deliver solder dross to the solder in stirring zone automatically

三、搅拌系统 **Stirring system:**

1、搅拌区底锡容量: 90KG, 外加热式融锡系统: 使锡渣加热均匀, 升温快, 节约电能;

Tin capacity in the bottom of stirring zone: 90 kg. Outside melting tin system: Make solder dross even heating, fast temperature rising and saving electric energy.

2、搅拌电机 90W 220V 3P 采用蜗轮蜗杆传动搅拌机构, 更省力, 同时避免电机与高温部件直接接触;

Stirring motor: 90W 220V 3P. Use the worm gear and drive stirring mechanism, more effort. Avoid the direct contact between the motor and the high temperature components at the same time.

3. 特殊设计的搅拌机构, 使锡渣均匀融解并实现一级粗分离;

The stirring mechanism with special design makes solder dross melting evenly and achieve 1 level rough separation.

四、出锡成形系统 **Tin out and shaping system:**

分离出来的焊锡收集区: 容量达 20 公斤, 自动锡液位检测, 人工操作排放焊锡至成形模 ;

Solder collecting zone after separation: capacity can reach 20 kg; automatic tin liquid level detection; manual operation for tin emission to shape

五、烟雾净化系统 **Smoke purification system;**

1、过滤箱体: 不锈钢网+水帘式过滤+活性炭过滤棉三重方式, 过滤烟雾中的颗粒与异味气体;

The filter box: 3 methods of stainless steel net + water curtain type filtration + activated carbon filter cotton for filtering particle in the smoke and gas with special smell

六、整机基本参数 **The basic parameters of the whole machine;**

1、机体尺寸 Machine size: 1450mm(L)*800mm(W)*1400mm(H);

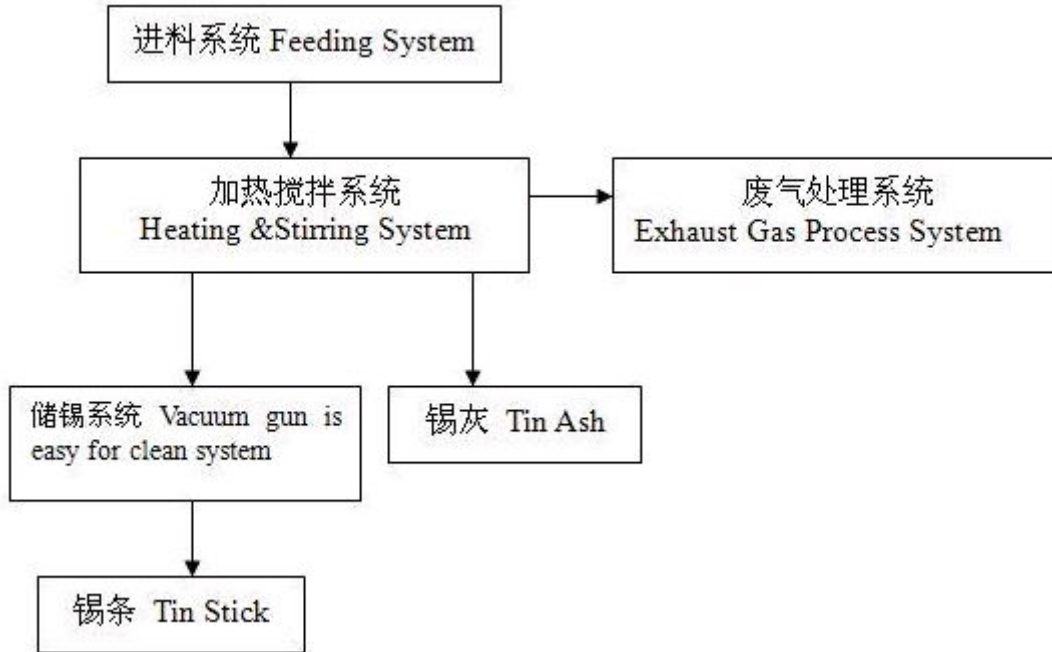
2、整机电源 power supply: 3P 4Φ 380V /AC

3、整机功率 Machine power: 4.3KW

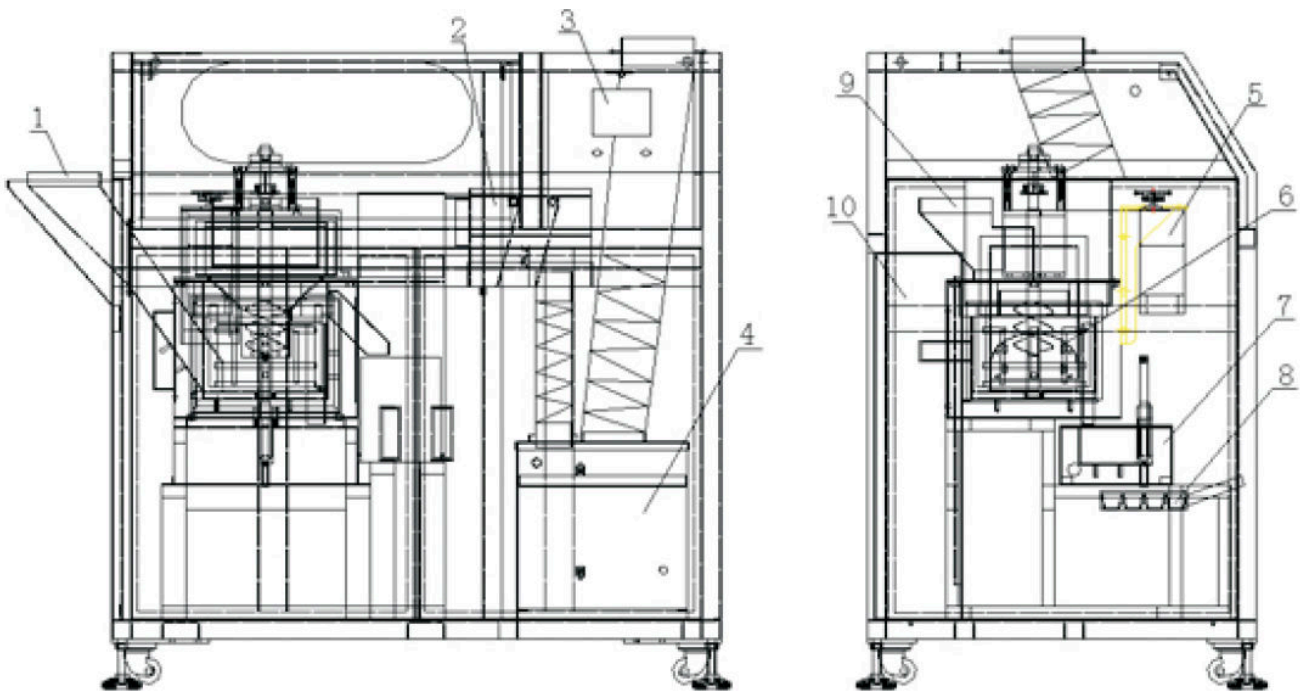
4、工作功率 Working power: 1.5KW



二. 工作流程 Operating Process



四. 结构示意图 Structure diagram



1 手动加料口

4 二级水箱

5 分离马达

7 储锡区

9 自动加料口

2 一级水过滤箱

3 控制面板

6 分离区

8 接锡盘

10 电箱